

OSE01201

120W DC Power Supply



Specification:

- Up to 91% efficiency
- Natural convection
- Hold-up time >30ms
- N+1 parallel operation
- Precision current voltage curve
- Precise dynamic response on load change
- Designed for long life under full stress
- Strong input filters
- High reliability, shock & vibration proof
- Over Voltage and continuous short circuit protection
- EMI/EMS EN61000-6-2,3, EN55032 class B
- EN61010-1, EN61010-2-201, EN62368-1

Models	Voltage	Current
OSE01201.012	12Vdc	8.0A
OSE01201.024	24Vdc	5.0A
OSE01201.036	36Vdc	3.3A
OSE01201.048	48Vdc	2.5A
OSE01201.060	60Vdc	2.0A
OSE01201.072	72Vdc	1.7A
OSE01201.110	110Vdc	1.1A



Technical Concept

The Camtec OSE models are industrial high-performance power supplies „Made in Germany“. These power supplies are designed as a working horse for complex loads, and for battery charging.

For more than 25 years the Camtec Power Supplies manufactures high-end switch mode power supplies in Germany. A field breakdown of below 0,004% over a 10-year period under review approves our ambitious quality concept. Each manufactured Camtec product passes 100% tests for each detailed function and a full-load Burn-In test.

Although it is not required from the safety norms our production applies a routine safety test to each manufactured device, even if it is an extra low-voltage model. The components in the assembled device pass stress aging to achieve an even level and to prevent from delayed failures. Our internal product engineering guidelines provide a clear target: Camtec product reputation must say „mount and forget“. Quality is never a mere promise for our team.

The OSE power supplies provide low noise and ripple, and a precise setting at high load changes. With an efficiency up to 91% the devices are highly energy efficient.

Equipped with high-end capacitors of outstanding lifetime our power supplies guarantee a very long and reliable operation time. The circuit design of the OSE series allows cope playing with complex loads. The internal protection circuits protect the power supply and the connected system, even in exceptional situations. The OSE series is protected from high transients by strong filters with high energy efficiency. All inputs and outputs are electrically isolated. The design specifications call for the highest standards of safety and interference suppression.

Design Conception

The OSE power supply series realizes high power in a space-saving housing. Latest generation electrical devices relate to the high reliability of all CAMTEC products. The CAMTEC philosophy is, to employ 125°C low ESR ultra long-life capacitors where expedient to achieve a superior lifetime of the product. The OSE power supply is made for high reliable and demanding industrial applications like galvanic systems, professional DC-drives, UPS-System, and high dynamic load.

Galvanic Isolation

The power supply is galvanic isolated between the input and the output. All features are connected to the DC power outputs.

Over Voltage Protection

Ticker mode and auto recovery

Short Circuit Protection

A continuous short circuit does not cause damage to the power supply. The OSE units deliver constant current and zero output voltage. They recover automatically after the short circuit is released.

Open Circuit Protection

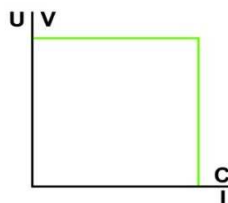
The OSE series is continuously open circuit protected. The device delivers a stable output voltage and no current. If a load is immediately connected to the device, the power supply stabilizes within 1ms. It does not overshoot the output voltage.

Power Up Ramp

The devices have a soft start ramp when powering up. The device does not either overshoot the voltage nor does the output flutter independent if a load is connected or not.

Current Voltage Chart, CV & CC mode

The OSE series provides a perfect current voltage chart. It has no fold back or other abnormalities. The output voltage can drop down to zero volts when the power supply is overloaded. The unit delivers a stable and constant current to the outputs.



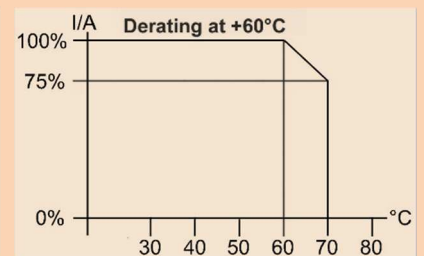
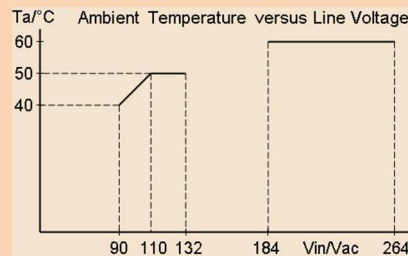
Technical Table

AC Input Range	90-132Vac, 184-264Vac (115/230Vac input selector, factory setting is 230Vac)			
AC Input Frequency	47-63Hz			
DC Input Range	250Vdc-375Vdc (input selector set to 230Vac)			
AC Input Rated	115Vac<2.3A 230Vac<1.3A			
DC Input Rated	250Vdc<0.6A 375Vdc<0.4A (input selector set to 230Vac rated)			
DC Voltage Rated	12Vdc	24Vdc	36Vdc	48Vdc
DC Voltage Setting Range	11,4 - 13,2Vdc	23,5 - 28,5Vdc	34,2 - 39,6Vdc	45,6 - 52,8Vdc
DC Current Rated +60°C	8.0A	5.0A	3.3A	2.5A
DC Current Rated +70°C	6.0A	3.75A	2.5A	1.9A
Power Boost 60s +60°C	9.2A	5.8A	3.8A	2.9A
Ripple Noise 230Vac 20MHz	50mVpp	65mVpp	65mVpp	100mVpp
Over Voltage Protection	18Vdc	35Vdc	52Vdc	70Vdc
Over Current Protection	9.6A	6.0A	4.0A	3.0A
Load Regulation 0-100%	< ±0.5%	< ±0.2%	< ±0.2%	< ±0.2%
DC Voltage Rated	60Vdc	72Vdc	110Vdc	
DC Voltage Setting Range	57 - 66Vdc	68 - 86Vdc	105 - 120Vdc	
DC Current Rated +60°C	2.0A	1.7A	1.1A	
DC Current Rated +70°C	1.5A	1.25A	0.82A	
Power Boost 60s +60°C	2.3A	2.0A	1.3A	
Ripple Noise 230Vac 20MHz	120mVpp	120mVpp	200mVpp	
Over Voltage Protection	87Vdc	105Vdc	160Vdc	
Over Current Protection	2.4A	2.1A	1.4A	
Load Regulation 0-100%	< ±0.1%	< ±0.1%	< ±0.1%	
Response Load Change	<1ms 10-100%, 100-10%			
Start-up Delay	Typ. 280ms @ 115Vac, 230Vac			
Softstart	Typ. 50ms			
Base Load	None			
Efficiency 230Vac	91% typical			
Short Circuit Protection	Continuous			
Idling-proof	Yes			
Hold Up Time	>30ms @ 230Vac			
Inrush Current	<16Apeak 230Vac cold start 25°C			
MCB (Circuit Breaker)	8A curve B @ 115Vac, 8A curve B @ 230Vac			
Cooling	Natural convection			
Ambient Operating Temp.	- 25°C...+70°C, derating 2,5%/°C >60°C			
Ambient Storage Temp.	- 40°C...+85°C			
Environment	Humidity 95% non-condensing @ 25°C, climate class. 3k3, pollution degree 2			
ROHS	2011/65/EU, (EU)2015/863			
REACH	EG No. 1907/2006			
EMI	EN55032 class B, EN61000-6-3, EN61000-3-2 class A			
EMS	EN61000-6-2			
Safety	EN61010-1, EN61010-2-201, EN62368-1, EN60950-1, EN60204-1			
Protection Class I	PE connection required			
Creepage Distance	>8mm			
Input to Output Isolation	3000Vac			
Input to Case Isolation	2500Vac			
Output to Case Isolation	500Vdc, 2000Vdc for models with output voltage ≥ 48Vdc			
MTBF (IEC61709)	600000h (Mean Time Between Failures: statistic time between failures after repairs)			
MTTF (IEC61709)	149600h (Mean Time To Failure: statistic time to ever fails)			
Dimensions (HxWxD)	41,5x139,2x94,5mm			
Weight	0,39kg / 0,86lbs			
Input & Output Terminals	Spring-type terminal solid max. 0,25...2,5mm² 24...14AWG according with IEC/EN60664-1, IEC/EN61984, Use copper conductors only. Wire stripping length 7mm. Tightening torque per terminal block is 0.4 - 0.5 Nm / 2.9 - 3.6 lbf-in			

Manual und Technical Details

Temperature Derating

The maximum ambient temperature during operation is + 70°C.

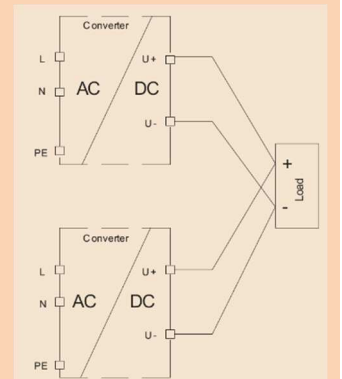


Baseplate Cooling & Temperature Management

The temperature management of the OSE series provides a direct dissipation of the main energy losses. The internal coolers of the output diodes and the power FETs connect to the back-plate cooler. It is possible to dissipate about 40 – 50% of the energy losses out of a system to a plane and heat conductive surface. For further information please consult our technical support.

Parallel Operation & N+1 Decoupling

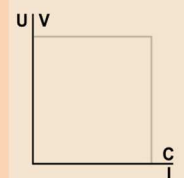
To increase the overall power of the power supply, two or more devices of the same model with the same output voltage may be operated in parallel. We recommend using a busbar for the DC power connector. Make sure that the cable lengths and cable cross-sections of all power supplies to the busbar or to the star point are identical. Allow proper connection for low contact resistance.



C/V Current Voltage Behaviour

The OSE series provides a perfect current voltage chart. It has no fold back or other abnormalities. The output voltage can drop down to zero volts when the power supply is overloaded. The unit delivers a stable and constant current to the outputs.

When the output voltage is set to the maximum demanded value and the current limit circuit acts, the output voltage drops linear down to zero and the unit delivers constant current.



Coating Option

We offer the OSE-series with optional coating. It is to be used in e.g., dusty, dirty, high humidity, or in awaiting quick temperature changes. Short circuit and corrosion at print board lines and at solder points can be prevented. The coat itself is a transparent acrylic resin. Peters SL 1306 N-FLZ (transparent) IEC60216-1 2001, IPC-CC-830B, UL listed as permanent coating File No.: E80315 , UL94V-0

DC Voltage setting range

Rated DC Voltage	12Vdc	24Vdc	36Vdc	48Vdc	60Vdc	72Vdc	110Vdc
Rated DC Current	8.0A	5.0A	3.3A	2.5A	2.0A	1.7A	1.1A
DC Voltage Setting Range	11,4-13,2Vdc	23,5-28,5Vdc	34,2-39,6Vdc	45,6-52,8Vdc	57,0-66,0Vdc	68,0-86,0Vdc	105,0-120,0Vdc

The DC voltage can be adjusted with a precision 1 turn potentiometer with low temperature fading. The factory setting is to the rated voltage from the table above.

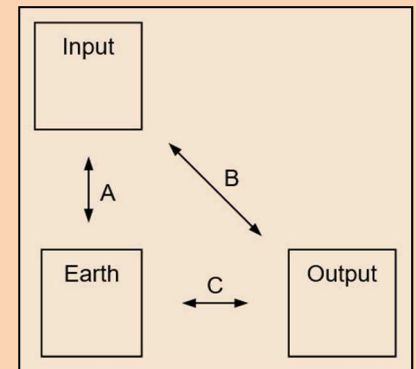
Electrical Safety (Factory-Test / Field-Test Owner)

	T	A	B	C ¹⁾
Type Test	60s	2500Vac	3000Vac	500Vdc
Factory Test	5s	2000Vac	1000Vac ²⁾	500Vdc
Field Test	2s	2000Vac	1000Vac ²⁾	500Vdc
Cut-off current setting	>10mA	>10mA	>10mA	>1mA

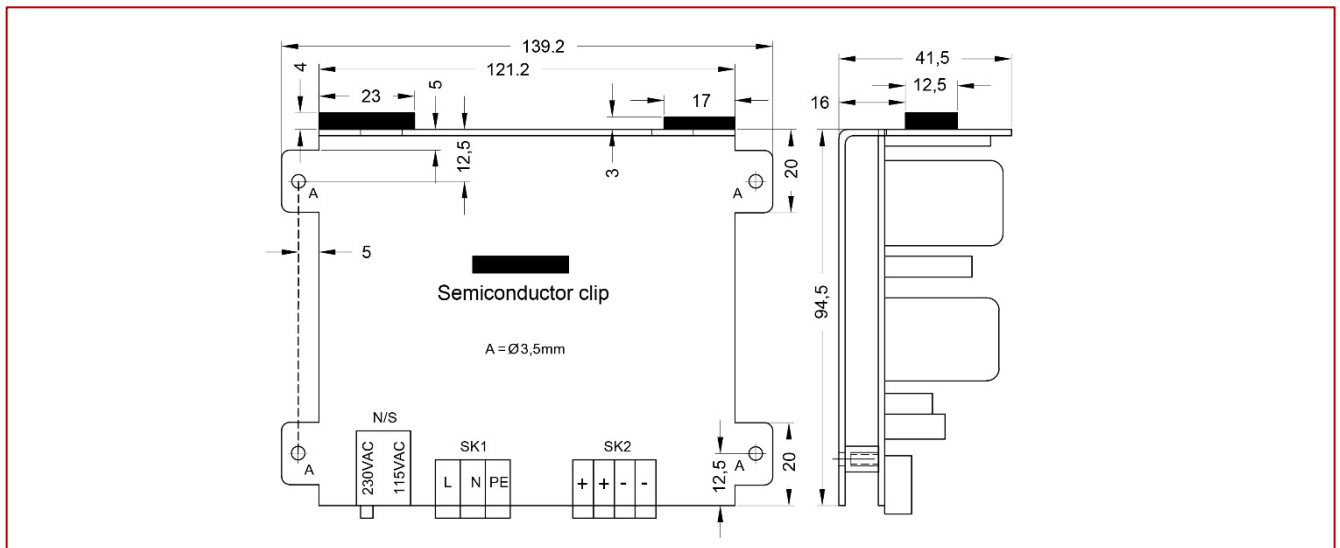
¹⁾ ≥48Vdc = 2000Vdc, ²⁾ ≥48Vdc = 2000Vdc

Type and factory test are the manufacturer. While repeating damage can happen to the power supply unit. For the field test (owner) follow the below instruction:

- Use suitable test equipment, raising the voltage slowly.
- Short circuit L1 and N, and all the DC output terminals.
- Use only test voltages of 50/60Hz. The outputs are unearthed and therefore they have no resistance to GND/PE.
- If the residual voltage is ≥60Vdc, observe the safety standards. Use only specially insulated screwdriver to trim the Ua/Ia.



Mechanics



Connections

Clamping Yoke Connector Specifications

	Optional Connection Plug Input	Optional Connection Plugs Output
Tightening torque min. – max.	0,4 – 0,5Nm (blade 0,6x3,5 PH1 PZ1)	0,4 – 0,5Nm (blade 0,6x3,5 PH1 PZ1)
Touch-safe protection acc. to DIN VDE 0470	Not applicable	Not applicable
Clamping range, min. – max.	0,2 – 4,0mm ² / AWG26 – AWG12	0,2 – 4,0mm ² / AWG26 – AWG12
Solid, H05(07) V-U min. – max.	0,2 – 4,0mm ²	0,2 – 4,0mm ²
Stranded, H05(07) V-U min. – max.	Not applicable	Not applicable
Flexible, H05(07) V-U min. – max.	0,2 – 4,0mm ²	0,2 – 4,0mm ²
w. plastic collar ferrule, DIN 46228 pt 4 min. – max.	0,2 – 2,5mm ²	0,2 – 2,5mm ²
w. wire end ferrule, DIN 46228 pt 1, min. – max.	0,2 – 4,0mm ²	0,2 – 4,0mm ²
Plug gauge in accordance with EN 60999 a x b; ø	2,8 x 2,4mm; 2,5mm	2,8 x 2,4mm; 2,5mm
Pitch (P)	7,50mm	5,08mm

Wire Stripping Length (fine wired)

Nominal Cross Section	Wire End Ferrule	Stripping Length	Wire End Ferrule	Stripping Length
0,25mm ²	H0,25/5	5mm	H0,25/10 HBL	8mm
0,5mm ²	H0,5/6	6mm	H0,5/12 OR	8mm
1,0mm ²	H1,0/6	6mm	H1,0/12 GE	8mm
2,5mm ²	H2,5/12	12mm	H2,5/19D BL	14mm
4,0mm ²	H4,0/12	12mm	H4,0/20 GDR	14mm

The length of ferrules is to be chosen depending on the rated voltage. The outside diameter of the plastic collar should not be larger than the pitch (P)

Ordering Information

Ordering Codes

Product Code	Information	Article Number
OSE01201.012(R2)	12V	3041091004CA
OSE01201.024(R2)	24V	3041091007CA
OSE01201.036(R2)	36V	3041091010CA
OSE01201.048(R2)	48V	3041091008CA
OSE01201.060(R2)	60V	3041091009CA
OSE01201.072(R2)	72V	3041091011CA
OSE01201.110(R2)	110V	3041091012CA
Optional Power OK & Output Connectors	Optional, 2poles Clamping Yoke Connector 180° cabling (10pcs per pack)	3520037
Optional Input Connector	Optional, 3poles Clamping Yoke Connector 180° cabling (10pcs per pack)	3520038



Safety regulations: Please read these instructions completely before using the equipment. Keep these instructions on to hand. The device may only be operated by trained specialist staff.

Installation:

- 1) The device is designed for devices and systems that meet the standard requirements for hazardous voltages, power, and fire prevention.
- 2.) Installation and service only by trained specialists. The AC power must be switched off. The work is to be labelled; accidental reconnection of the system must be prevented.
- 3.) Opening the device, its modification, loosening bolts, or operation outside the specified herein specification or in an unsuitable environment, has the immediate loss of warranty to follow. We disclaim any responsibility for any resulting damage to persons or things.
- 4.) Note: The device must not be operated without an upstream circuit breaker (CB). We recommend the use of B-type 8A for 230Vac or 8A and for 115Vac. It is prohibited to use the unit without PE. It may be necessary upstream device has a power switch.

Warning:

Non-compliance these warnings can result in fire and serious injury or death.

1. Never operate device without PE connection.
2. Before connecting the device to the AC network, make wires free of voltage and ensure that it cannot accidentally switch on.
3. Allow neat and professional cabling.
4. Never open nor try to repair the unit. Inside are dangerous voltages that can cause electrical shock hazard.
5. Avoid metal pieces or other conductive material to fall into the item.
6. Do not operate the device in damp or wet conditions
7. Do not operate the unit under EX-conditions



All parameters after 15 minutes of continuous operation at full load / 25°C / 230Vac 50/60Hz, unless otherwise indicated.